

# FELSA

---

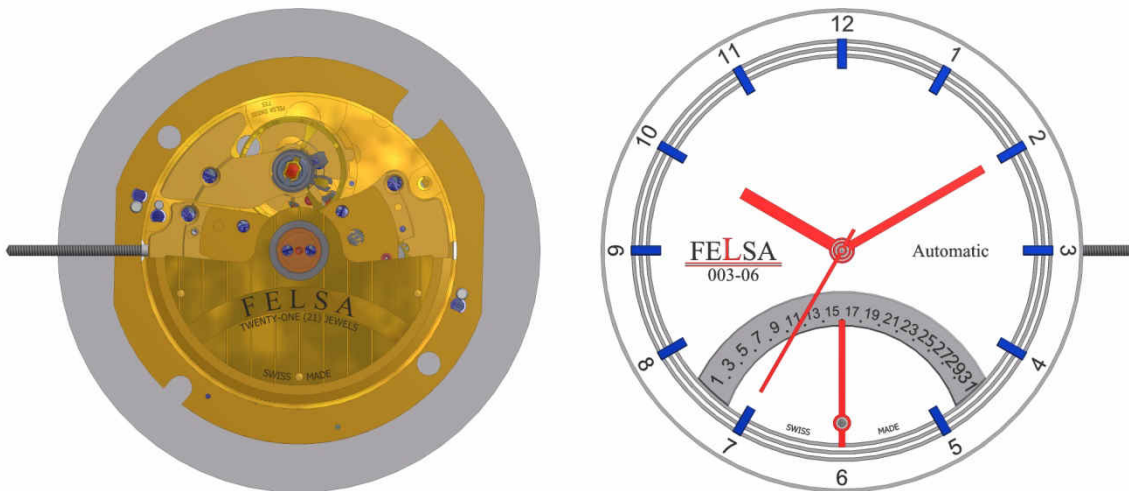
## SWISS S.A.

Fabrique d'Ebauches Leschot S.A.

### **CAL. 715.003-06**

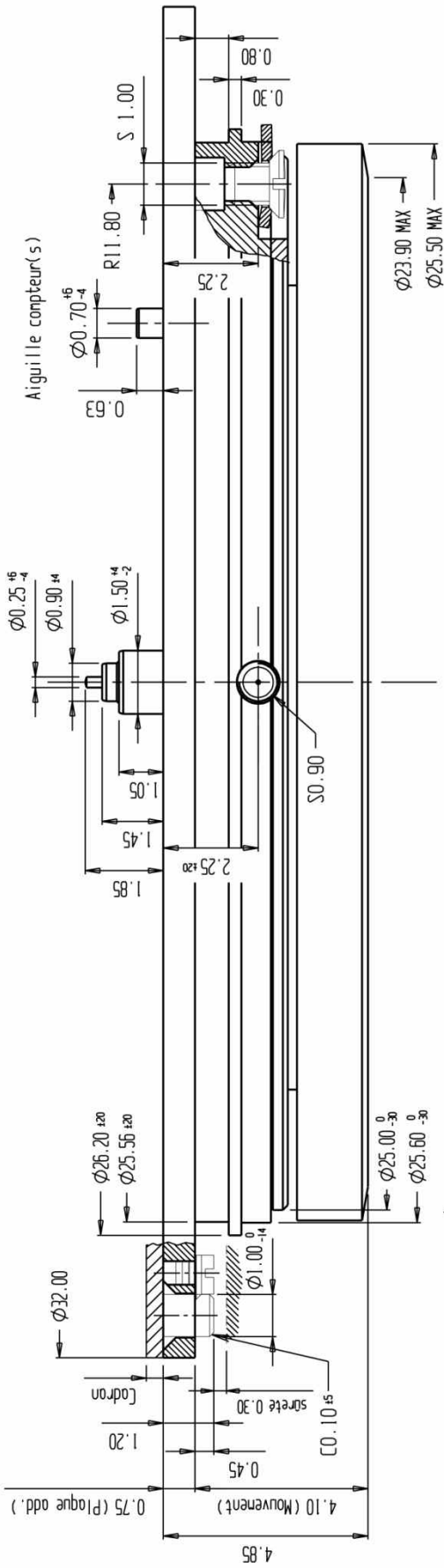
**AUTOMATIC, DATE RETROGRADE  
21 JEWELS – SWISS MADE**

**Lever movement, sweep second with self-winding mechanism, jewel bearing, date retrograde indicator, date rapid corrector, frequency 4 Hz (28'800 A/h 'vibrations per hour').**

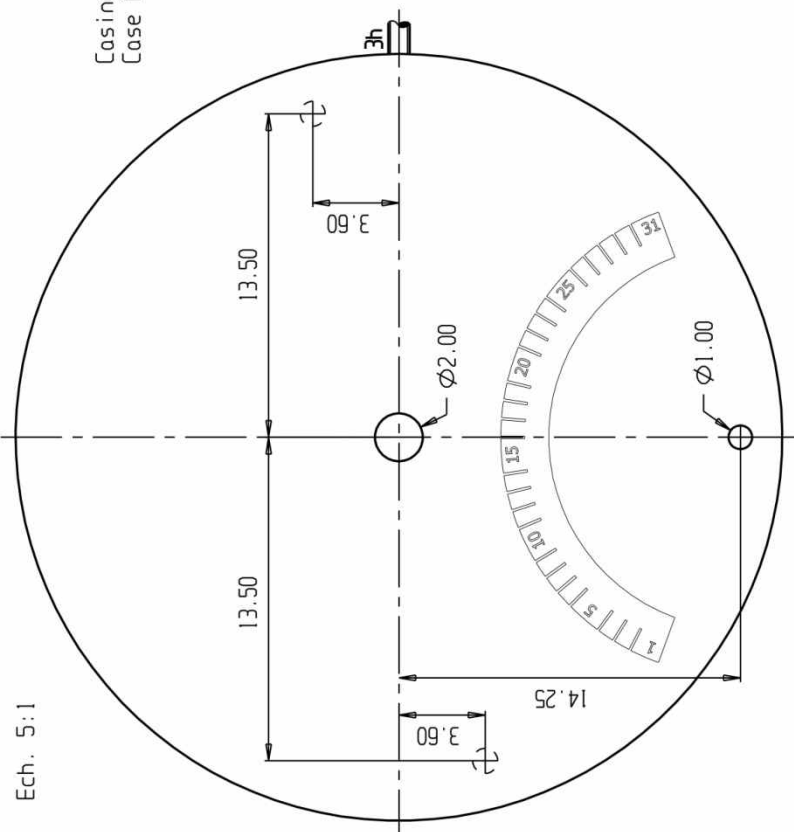
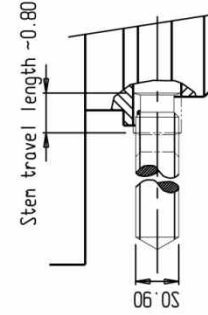
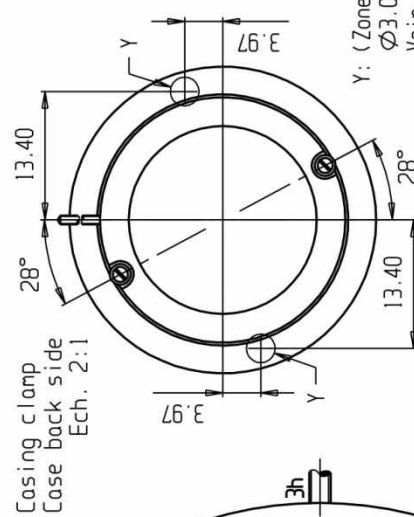


### **TECHNICAL SPECIFICATIONS**

1. Outside Diameter	: 32.00 mm
2. Casing Diameter	: 25.60 mm
3. Stem height / Thickness	: 2.25 mm / 4.85 mm
4. Frequency	: 4Hz; 28'800 beats per hour
5. Power Reserver	: mini. 42 hours
6. Accuracy	: -5 /+20 sec per day
7. Jewels	: 21
8. Shock absorbing devices	: 2
9. Amplitude	: T24 mini. 200°
10. Winding / Settings 3 positions	: 1) winding; 2) date rapid corrector; 3) time setting



Ech. 5:1



CORRECTIONS		Matière et traitement :		Echelle		Nb. P.C.	
No	DECISIONS/DATE	VISA		10:1		1	
01	Détail pied cadron	K.R.		COTES EN MILLIMETRES			
				TOLERANCES EN MICRONS			
				DIVERS : Tol.générale ± 10		CAL	DATE
Cage pour boite				715	07.12.16	VISA	
Frame for case				11 1/2" / Ø32mm		K.R.	
PLAN/DWG	CK	Edité		PIECE	No/PART	No	EXEC
71590HAB	01			71590000			03
FIELSA				Fabrique d'Ebauches Leschat S.A.			